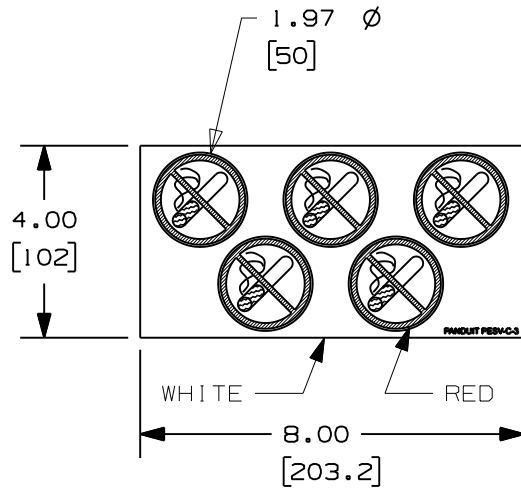


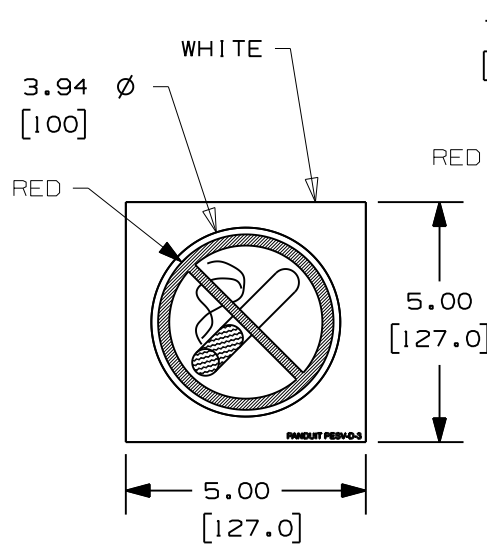
PART NUMBER	MARKER PER CARD
PESV-C-3	5
PESV-D-3	1
PESV-E-3	1

NOTES:

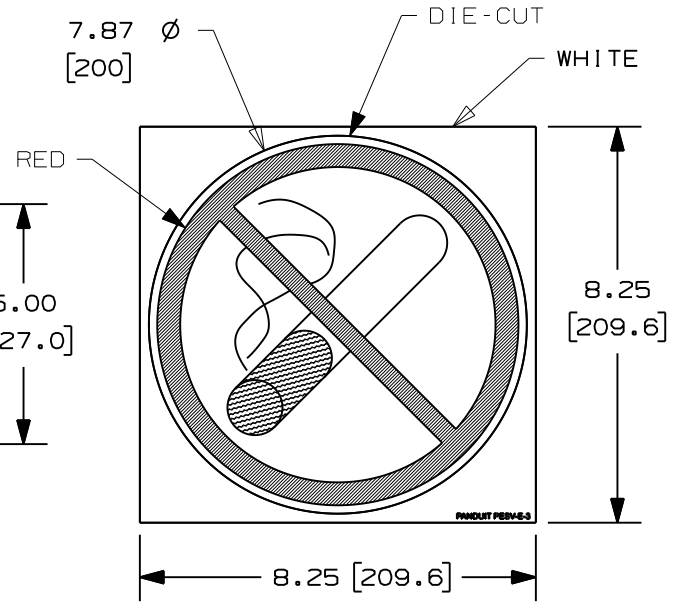
1. MILLIMETERS ARE IN [ ].
2. 10 CARDS PER PACKAGE.



PESV-C-3



PESV-D-3



PESV-E-3

CAD FILENAME/LAYERS		I00318LW_DC_C10662/06A	
<h1>PANDUIT</h1> CORP. TINLEY PARK, ILLINOIS			
CUSTOMER DRAWING PESV-C-3, PESV-D-3, AND PESV-E-3 PROHIBITION SIGNS			
UNLESS OTHERWISE SPECIFIED, DIMENSIONAL TOLERANCES ARE: (.X) ± .1 (XXX) ± .025 (.XX) ± .062 ANGLES ± 5°		UNLESS OTHERWISE SPECIFIED, ALL DIMENSIONS ARE GIVEN IN INCHES, THIRD ANGLE PROJECTION.	
DRAWN BY RVU	MAT'L:	SCALE	
DATE 3/20/08	GMV1-OL VINYL FILM	DRAWING NO. C10662	DWG A SIZE
REV	DATE	BY	CHK
DESCRIPTION		ECN	R CUST SUP

R	3/20/08	RVU		DRAWING RELEASE	5362	R			
REV	DATE	BY	CHK	DESCRIPTION	ECN	R	CUST	SUP	